



DISPENSERS



PUMPS



METERS



NOZZLE



FILTRATION



FLUID
MONITORING

ST 200 DC

FEATURES

- **STURDY STRUCTURE**
- **COMPACT DESIGN**
- **READY TO USE**
- **HIGH RELIABILITY**
- **HEAVY DUTY**

PIUSI ST 200 DC is a 24V portable dispensing unit for high flow applications. The low weight of the unit makes it easy to handle and suitable for operating on worksites in every condition; both on tanks or for mobile applications. Thanks to the mechanical meter K700, this sturdy dispenser guarantees the maximum precision (on request).

PERFORMANCE

UP TO

185 L/MIN

FLOW-RATE

24V

VOLTAGE

POWER

20 MIN

(40MIN OFF)

DUTY CYCLE



ST 200 DC



PACKAGING

CODE	WEIGHT		PACKAGING		
	KG	LBS	MM	INCH	PCS/BOX
FO0318000	18	40	480X370X265	18,9X14,6X10,4	1



HOSE REELS



ACCESSORIES



MERCHANDISE



AIR



ANTIFREEZE

AdBlue[®]

BIODIESEL



DIESEL



FOOD



GASOLINE



GREASE



KEROSENE



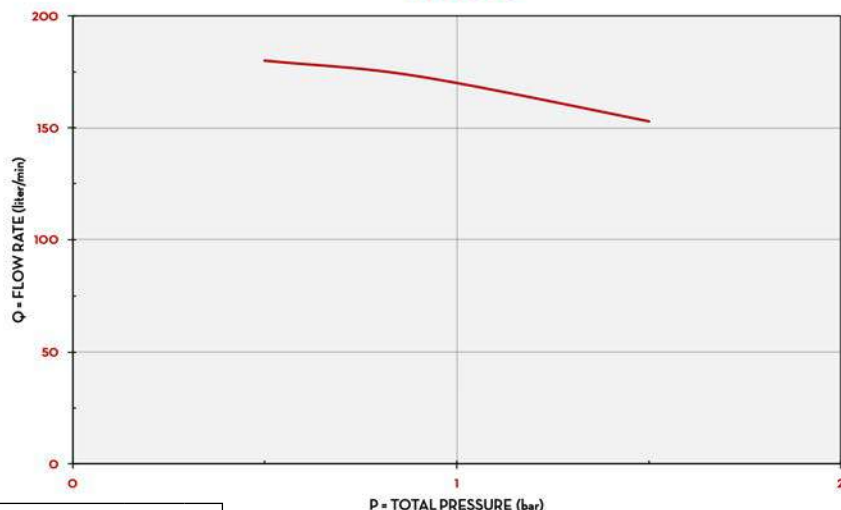
OIL



WATER



WINDSCREEN

CHART**ST 200 DC**

TYPE OF FLUID DIESEL

TEMPERATURE 25 °C

IN THE BOX

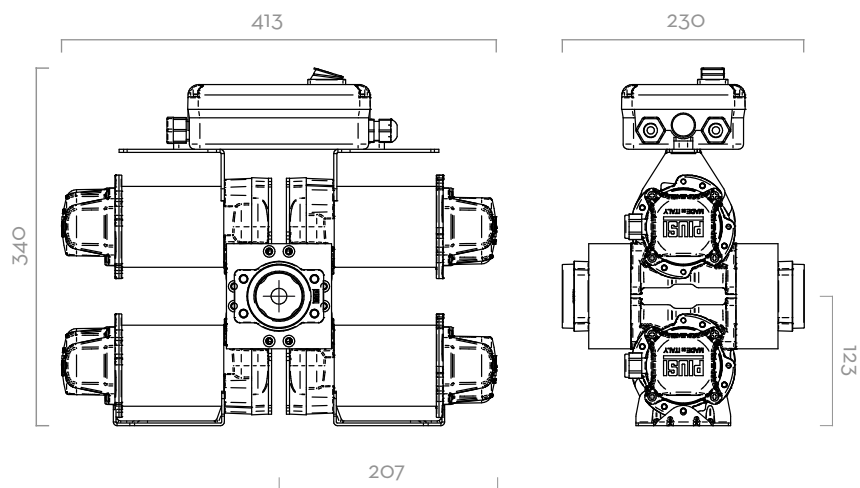
- ST 200 DC UNIT
- ELECTRIC CABLE WITH CLAMPS
- INSTRUCTION MANUAL

DETAILS

ON/OFF SWITCH



ELECTRIC CABLE

DIMENSIONS

Dimensions expressed in millimeters

MATERIALS

- BODY: CAST IRON
- ROTOR: SINTERED STEEL
- VANES: ACETAL RESIN
- SEAL: NBR
- SHAFT: STEEL

TECHNICAL DATA

CODE	DESCRIPTION	FLUIDS TYPE	FLOW-RATE		VOLTAGE			DUTY CICLE	PUMP		MAX PRESSURE	INLET
			L/MIN	GPM	AC V./HZ	DC VOLT	POWER WATT		AMP. MAX.	MINUTES		
FO0318000	ST 200 DC 24 V	D	185	42-48	24	1200	50	30	BYPASS 3000	4	2	1" 1/2

ST 200 DC